

Datasheet: Necsel™ Red NovaLum VHP Laser

These specifications are for the Necsel red NovaLum VHP package. The centroid of the wavelength spectrum will be within the indicated wavelength range.



Model #	Symbol	Min. (nm)	Typical (nm)	Max. (nm)
Red-VHP-637nm	λ	632	637	641

Operating Wavelengths

Laser Parameter	Symbol	Min.	Typical	Max.	Unit
Operating Power (CW)	P_{op}	-	11	-	W
Module Operating Temperature [non-condensing atmosphere]	$T_{Thermistor}$	-	25	-	°C
Center Wavelength [at 25°C and P_{op}]	λ	632	637	641	nm
Wavelength Temperature Coefficient	-	-	0.2	-	nm/°C
Threshold Current	I_{th}	-	400	-	mA
Slope Efficiency	η	-	11	-	W/A
Laser Power Conversion Efficiency	PCE	-	30	-	%

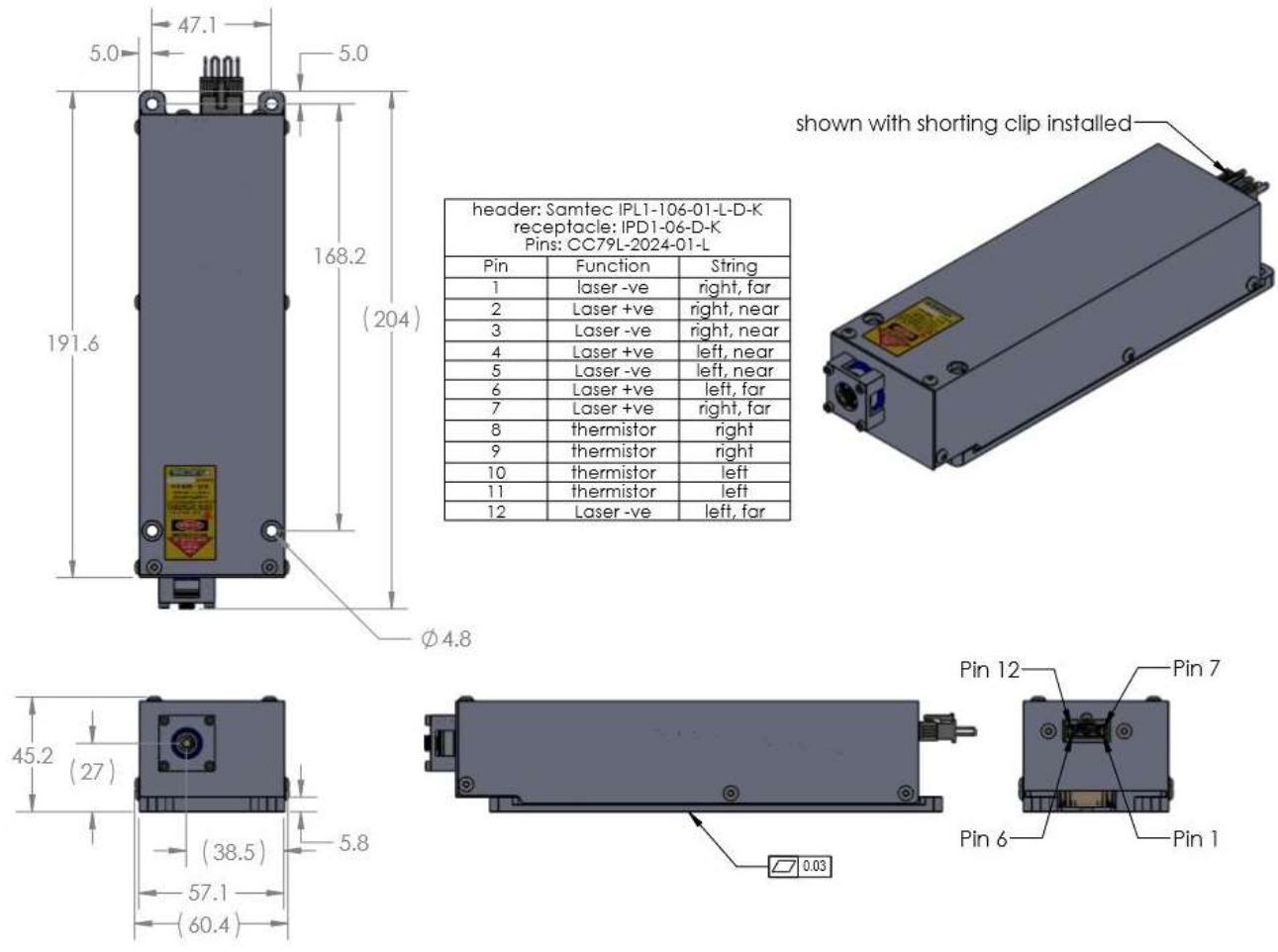
Power Supply Requirements

Operating Voltage (4 strings in series)	V_{op}	-	25	-	V
Allowable Reverse Voltage	V_r	-	-	2	V
Operating Current	I_{op}	-	-	1.4	A

Fiber Specifications

Fiber Core Diameter (Centration $\leq 10 \mu m$)			0.600		mm
Connector Type (Nose length 0.3850 - 0.3863 in., 9.779 – 9.812 mm)			SMA-905		
Numerical Aperture			0.22		

Outline Drawing and Electrical Connections



Necsel follows a policy of continuous product improvement and may change product descriptions and specifications at any time without notice. Necsel offers a limited product warranty to ensure customer satisfaction. Standard terms and conditions can be found on the web at <http://necsel.com/terms-conditions>. This product is solely intended to be integrated into a laser product certified by the Customer. The Customer acknowledges that their product(s) that incorporate Necsel laser products must comply with the applicable regulations before it can be sold.

